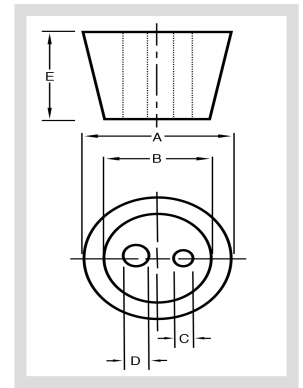




Two-Hole Rubber Stoppers



Part#	Size	Dimensions (mm)				Dimensions (in)			
		Top (A)	Bottom (B)	Length (E)	Holes (C/D)	Top (A)	Bottom (B)	Length (E)	Holes (C/D)
CLS-00-2H-10B40	00	15	10	25	3	0.591	0.394	0.984	0.118
CLS-01-2H-10B40	1	19	14	25	4	0.748	0.551	0.984	0.157
CLS-02-2H-10B40	2	20	16	25	5	0.787	0.630	0.984	0.197
CLS-03-2H-10B40	3	24	18	25	5	0.945	0.709	0.984	0.197
CLS-04-2H-10B40	4	26	20	25	5	1.024	0.787	0.984	0.197
CLS-05-2H-10B40	5	27	23	25	5	1.063	0.906	0.984	0.197
CLS-05.5-2H-10B40	5 1/2	28	24	25	5	1.102	0.945	0.984	0.197
CLS-06-2H-10B40	6	32	26	25	5	1.260	1.024	0.984	0.197
CLS-06.5-2H-10B40	6 1/2	34	27	25	5	1.339	1.063	0.984	0.197
CLS-07-2H-10B40	7	37	30	25	5	1.457	1.181	0.984	0.197
CLS-07.5-2H-10B40	7 1/2	39	31	25	5	1.535	1.220	0.984	0.197
CLS-08-2H-10B40	8	41	33	25	5	1.614	1.299	0.984	0.197
CLS-08.5-2H-10B40	8 1/2	43	36	25	5	1.693	1.417	0.984	0.197
CLS-09-2H-10B40	9	45	37	25	5	1.772	1.457	0.984	0.197
CLS-09.5-2H-10B40	9 1/2	46	38	25	5	1.811	1.496	0.984	0.197