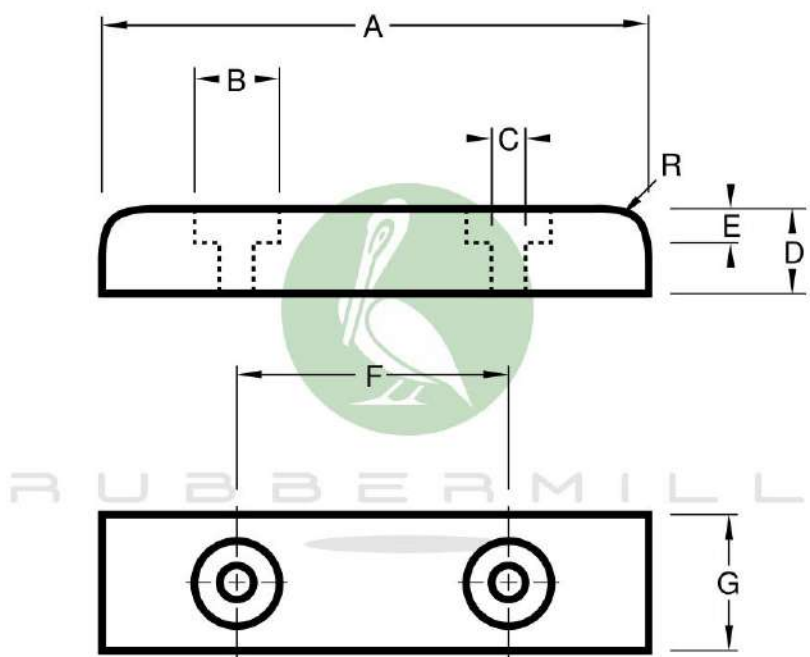


Print and Fax, or Print/Scan and Email this page to submit your Request for Quote  
 Fax to: (336) 622-1685 Email to: info@rubbermill.com

## 21. Double Recessed Bumper

A \_\_\_\_\_  
 B \_\_\_\_\_  
 C \_\_\_\_\_  
 D \_\_\_\_\_  
 E \_\_\_\_\_  
 F \_\_\_\_\_  
 G \_\_\_\_\_  
 R \_\_\_\_\_



Name: \_\_\_\_\_ Title: \_\_\_\_\_  
 Company: \_\_\_\_\_  
 Street Address: \_\_\_\_\_  
 City: \_\_\_\_\_ State: \_\_\_\_\_ Zip: \_\_\_\_\_  
 Phone: \_\_\_\_\_ Fax: \_\_\_\_\_  
 Email: \_\_\_\_\_

Customer Part Number/Description: \_\_\_\_\_  
 Material: \_\_\_\_\_ Hardness: \_\_\_\_\_  
 Order Quantity: \_\_\_\_\_ Estimated Annual Usage: \_\_\_\_\_  
 Additional Information: \_\_\_\_\_

Please submit as much information as possible to ensure an accurate and competitive estimate. RubberMill, Inc. will quote RMA commercial tolerances unless specified otherwise. Please see our technical section for additional compound, hardness and tolerance information. Thank you for contacting RubberMill.



Talk to a person... not a machine! • 336-622-1680 • www.rubbermill.com